

REVISION RECORD				
REV	ECD	DESCRIPTION	DRFT	CHKD

NOTES:

MATERIAL:

- 1.HOUSING MATERIAL :GLASS FILLED POLYESTER UL94V-0.
- 2.CONTACT MATERIAL :PHOSPHOR BRONZE t=0.35mm.
- 3.PLATING : GOLD PLATING 3u"~50u"OVER NICKEL

ELECTRICAL:

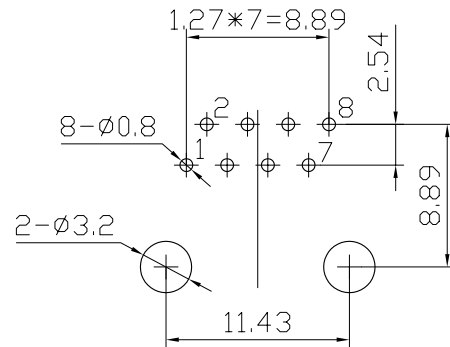
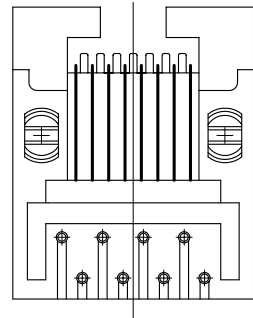
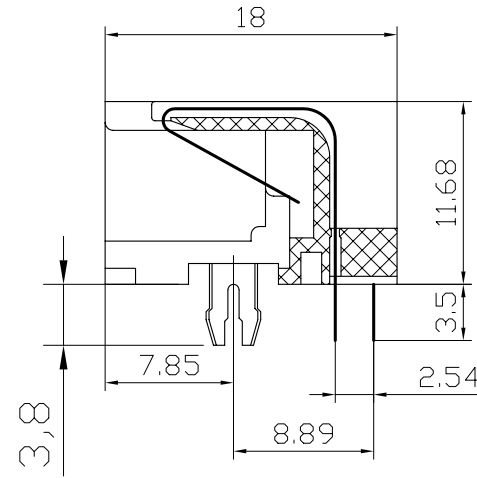
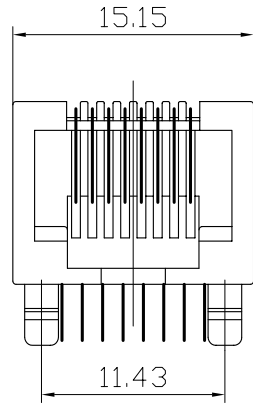
- 1.VOLTAGE RATING :125 VAC RMS.
- 2.CURRENT RATING :1.5 AMP.
- 3.CONTACT RESISTANCE :30 MILLIOHMS MAX.
- 4.INSULATION RESISTANCE :500 MEGOHMS MIN @ 500V DC .
- 5.DIELECTRIC WITHSTANDING RESISTANCE :1000V AC RMS 50Hz. 1MIN.

MECHANICAL:

- 1.DURRABILITY: :750 CYCLES MIN.
- 2.PCB RETENTION PRE-SOLDER :1 LB MIN.

ENVIRONMENTAL:

- 1.STORAGE : -40°C TO 85°C.
- 2.OPERATION : 0°C TO 70°C.



PC Board Layout
Component Side Shown

DETACHED LISTS	MM (INCH)		DFTO: SHB	DATE: 2007.05.05	<h1>Coorle 库乐科技</h1> <h2>5321 8P8C</h2>
	TOLERANCES EXCEPT AS NOTED		CHKD: LANB	DATE:	
	MM		MFO:	DATE:	
	.0 ± 0.15 ±		APPVL:	DATE:	
.00 ± 0.075 ±		MATERIAL :		DRAWING NO. TE53A1003	
.000 ± 0.05 ±		MATERIAL :			SIZE REV
ANGLES ± 0.5		QT'Y :		A3 0	
THIRD ANGLE PROJECTION		FINISH :		/PART NO.	
		SCALE :		DD NOT SCALE DRAWING	
				SHEET OF	

8

7

6

5

4

3

2

1

A

B

C

D

E

F

G

H